

**MM**  
**MML**

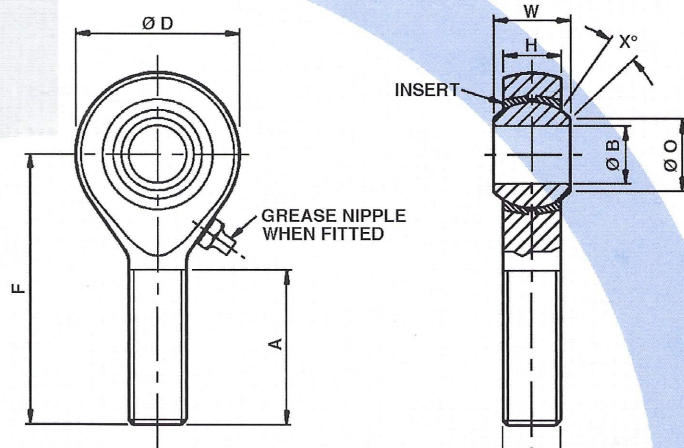
**Metric Male Rod End Bearings,  
Metal to Metal Insert construction**

**Rod End housing**  
Low carbon steel  
30/40 tons/in<sup>2</sup> Tensile  
Zinc plated

**Ball**  
1% carbon chromium steel  
Heat treated, or corrosion  
resistant steel AMS5630

**Insert**  
Copper alloy

**MM** Right hand thread  
**MML** Left hand thread  
Suffix 'G' in part no.  
indicates grease nipple



Rose part no	B	W	H	O	D	F	A	M	X	Max static radial load	Weight
	Bore dia	Ball width	Head width	Ball face dia	Head dia	Centre length	Thread length	Thread size	Angle		
<b>MM</b>	H7	+0 -0,1	+0,1 -0,1	Min	+0,2 -0,2	+0,2 -0,2	+0 -1,0	ISO med fit	deg	N	kg
<b>03</b>	3	6	4,5	5,1	12	27	15	M3 x 0,5	13,5	1110	0,005
<b>05</b>	5	8	6,0	7,7	16	33	20	M5 x 0,8	12,5	3220	0,012
<b>06</b>	6	9	6,75	8,9	18	36	22	M6 x 1,0	12,5	4550	0,019
<b>08</b>	8	12	9,0	10,4	22	42	25	M8 x 1,0	14	8050	0,032
<b>08K</b>	8	12	9,0	10,4	22	42	25	M8 x 1,25	14	8050	0,032
<b>10</b>	10	14	10,5	12,9	26	48	29	M10 x 1,25	13,5	10760	0,054
<b>10K</b>	10	14	10,5	12,9	26	48	29	M10 x 1,5	13,5	10760	0,054
<b>12G</b>	12	16	12,0	15,4	30	54	33	M12 x 1,25	13	13750	0,085
<b>12GK</b>	12	16	12,0	15,4	30	54	33	M12 x 1,75	13	13750	0,085
<b>14G</b>	14	19	13,5	16,8	34	60	36	M14 x 1,5	16	17240	0,125
<b>14GK</b>	14	19	13,5	16,8	34	60	36	M14 x 2,0	16	17240	0,125
	H7	+0 -0,1	+0,1 -0,1	Min	+0,7 -0,3	+0,7 -0,3	+0 -1,0				
<b>16G</b>	16	21	15,0	19,3	38	66	40	M16 x 1,5	15	21070	0,185
<b>16GK</b>	16	21	15,0	19,3	38	66	40	M16 x 2,0	15	21070	0,185
<b>18G</b>	18	23	16,5	21,8	42	72	44	M18 x 1,5	15	25320	0,260
<b>20G</b>	20	25	18,0	24,3	46	78	47	M20 x 1,5	14,5	29900	0,340
<b>20GK</b>	20	25	18,0	24,3	46	78	47	M20 x 2,5	14,5	29900	0,340
<b>22G</b>	22	28	20,0	25,8	50	84	51	M22 x 1,5	15	35080	0,435
<b>25G</b>	25	31	22,0	29,6	56	94	57	M24 x 2,0	15	43350	0,590
<b>30G</b>	30	37	25,0	34,8	66	110	66	M30 x 2,0	17	58270	1,000

Dimensions in millimetres

Diametral Clearance	
Bore size	Clearance mm
03 to 08	0,006 to 0,035
10 to 16	0,007 to 0,041
18 to 30	0,009 to 0,050

For other sizes and options please contact Rose Bearings.

Please consult Rose Bearings for availability of bearings in this series.

Rose Bearings operates a policy of continual improvement, and therefore reserves the right to revise specifications without notice.

**Rose Bearings Ltd - Doddington Road, Lincoln LN6 3RA UK TEL: 01522 500933 FAX: 01522 696485**